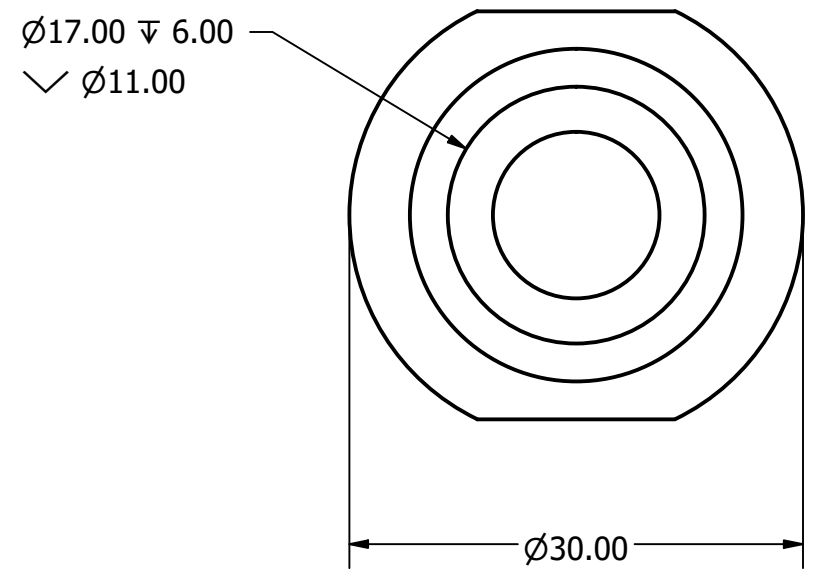
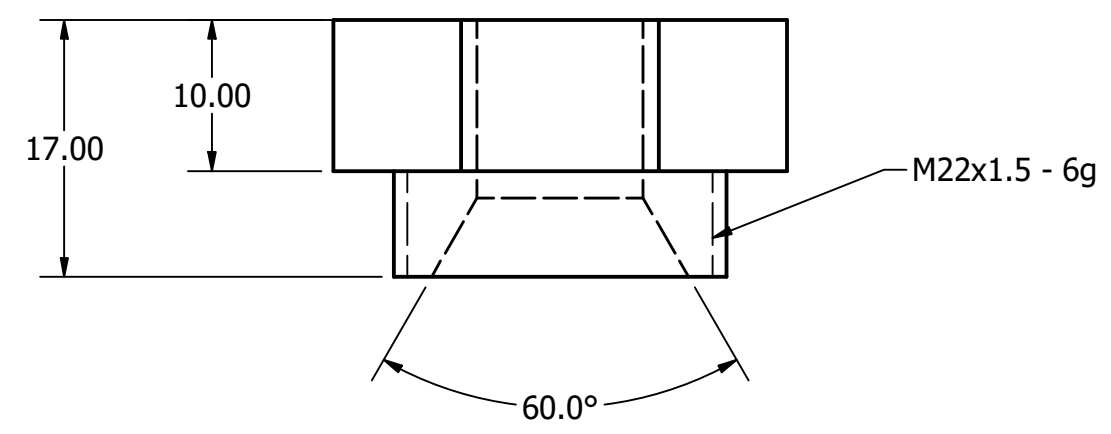
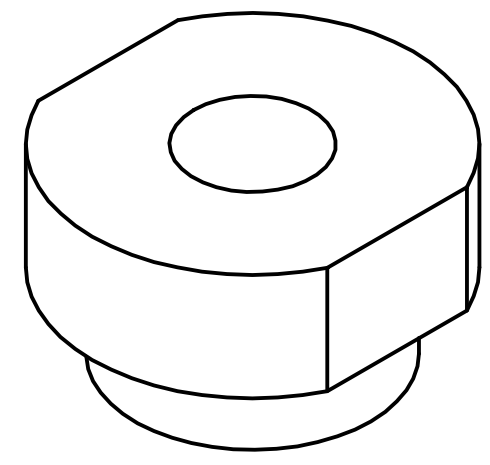
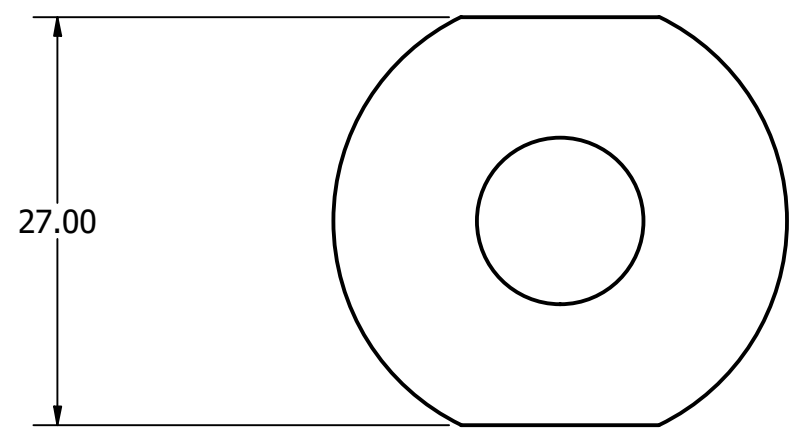


4 3 2 1



DRAWN ccolq	11/22/2022	WELDPARTS USA		
CHECKED		TITLE		
QA		SPRING CAP		
MFG		SIZE	DWG NO	REV
APPROVED		B	PNS-C10-11.0-C	
		SCALE	SHEET 1 OF 1	
		2 : 1		

B

B

A

A

4

3

2

1

4