

4

3

2

1

6 X .00 Chamfer

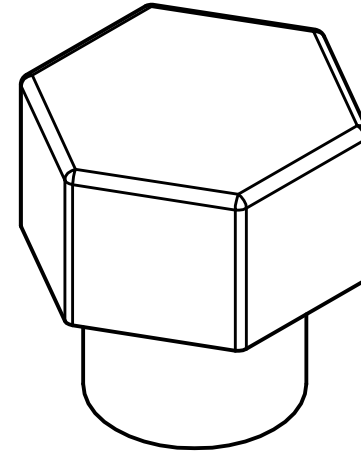
14.00

15.50

8.00

M10x1.25 - 6g

Ø15.00



DRAWN ccolq	11/22/2022	WELDPARTS USA		
CHECKED		TITLE		
QA		ELECTRODE		
MFG		SIZE	DWG NO	REV
APPROVED		B	NK-1616-F	
		SCALE	3 : 1	SHEET 1 OF 1