

4 3 2 1

B

B

A

A

A

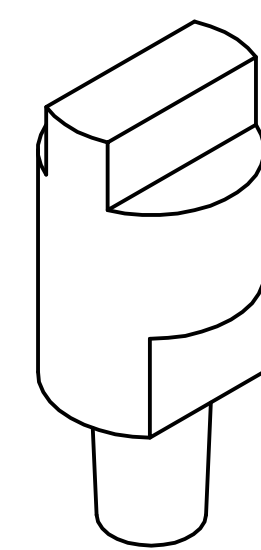
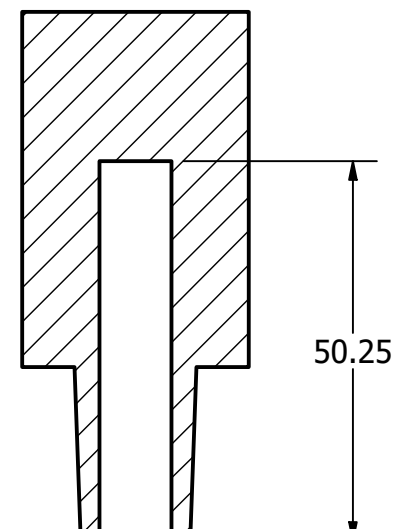
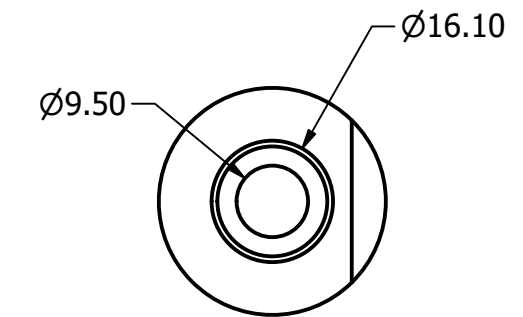
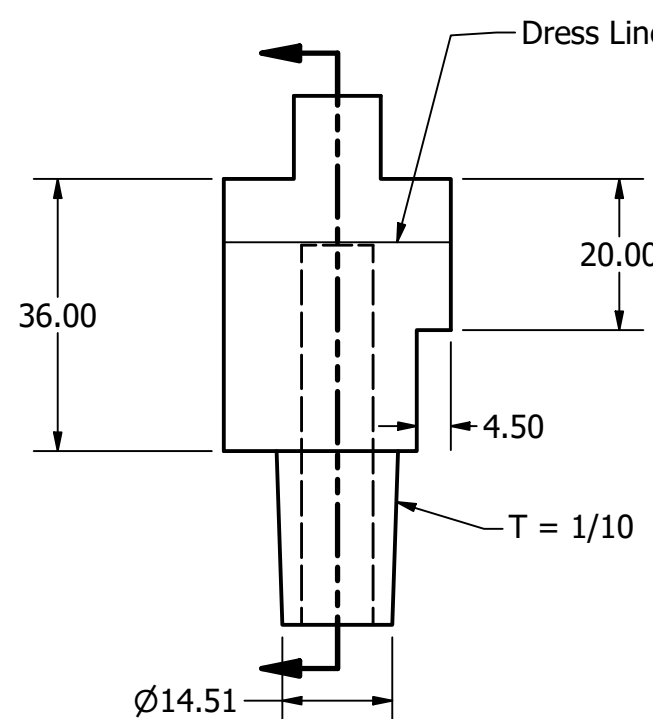
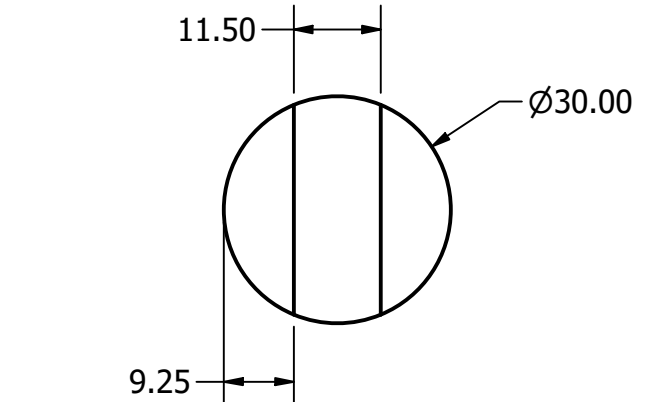
A

4

3

2

1



DRAWN ccolq	10/3/2022	TITLE		
CHECKED				
QA				
MFG				
APPROVED		SIZE B	DWG NO part 1 Drawing	REV
		SCALE 1:1	SHEET 1 OF 1	