

4

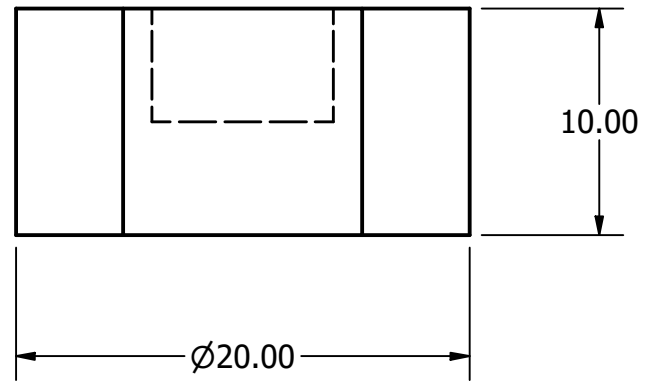
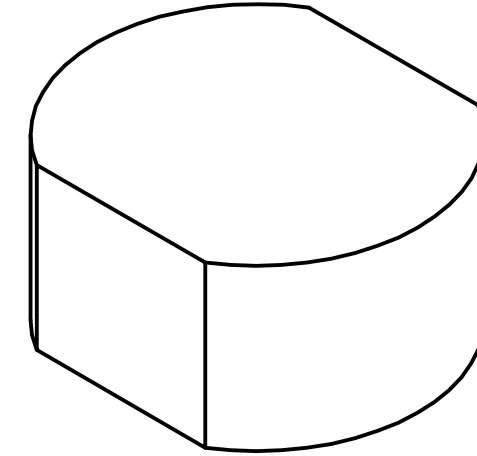
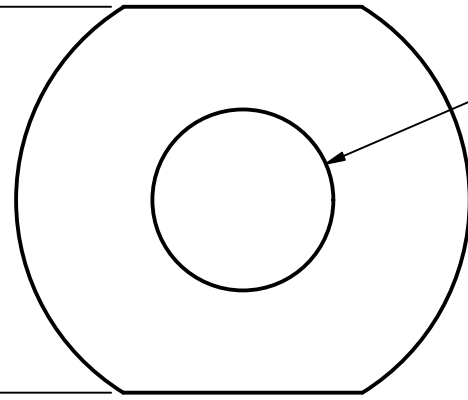
3

2

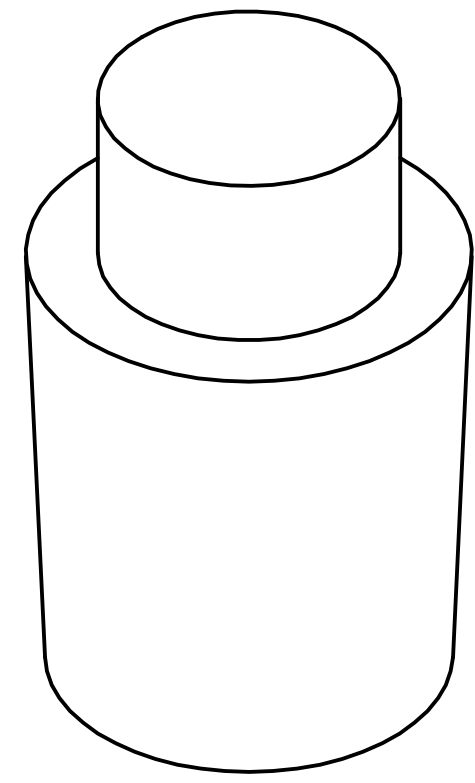
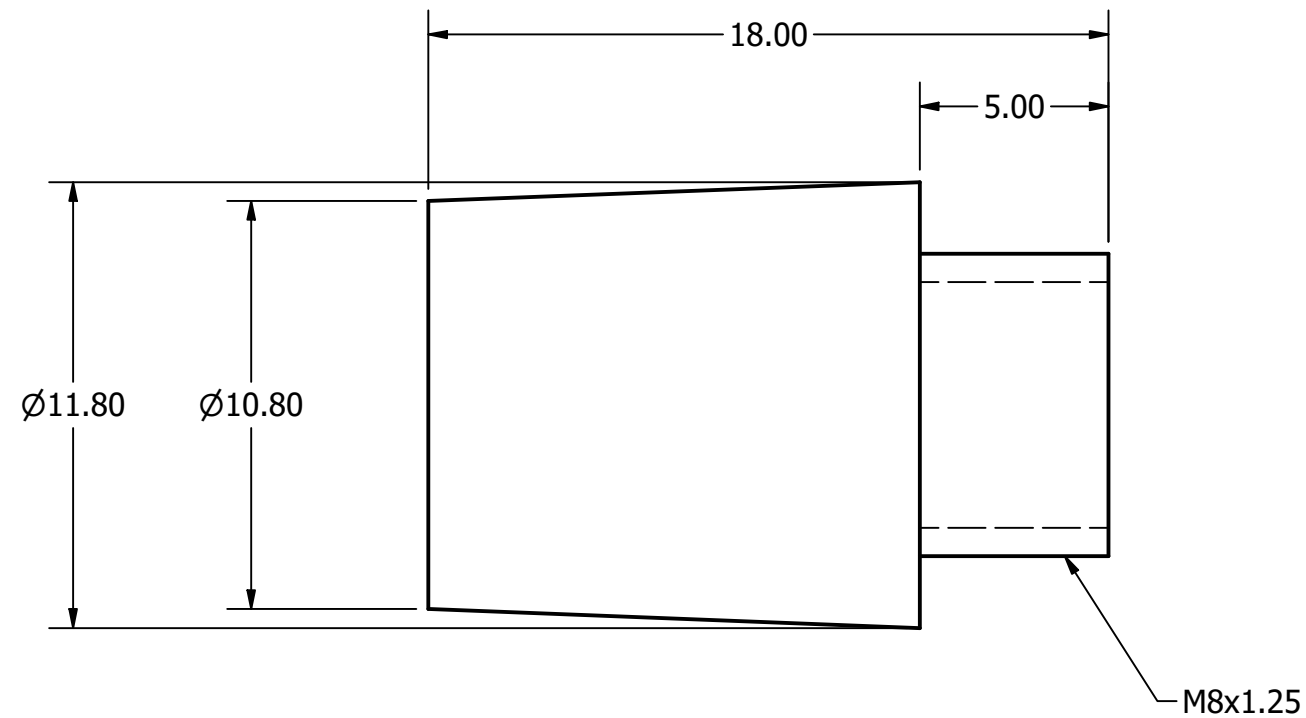
1

17.00

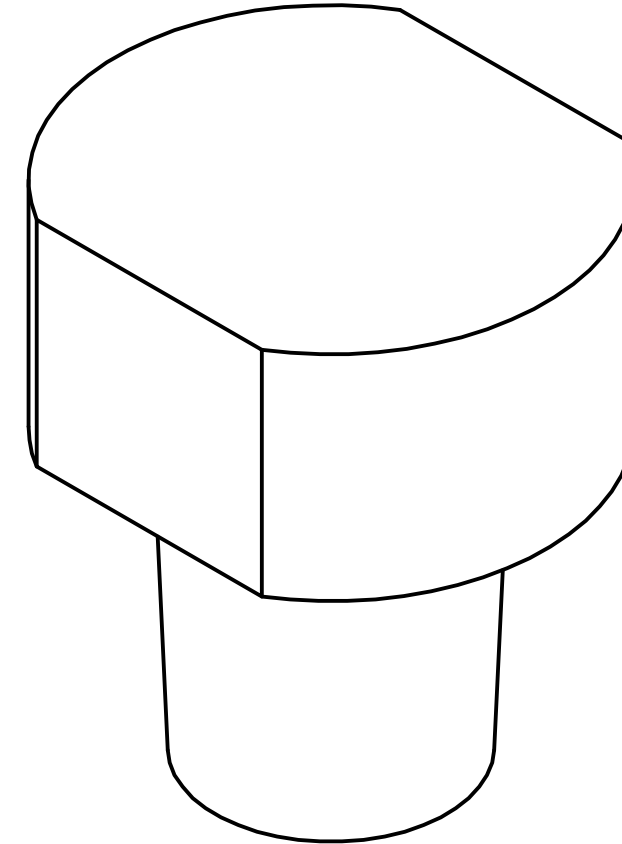
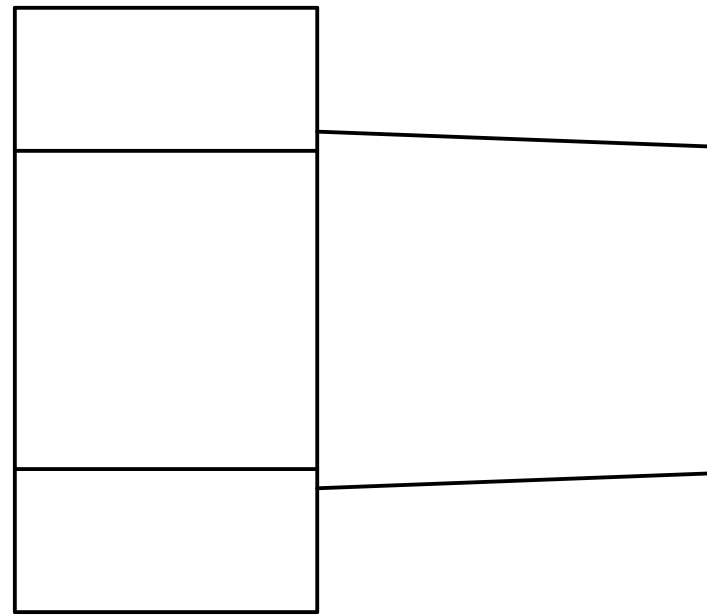
M8x1.25  $\nabla$  5.00 mm



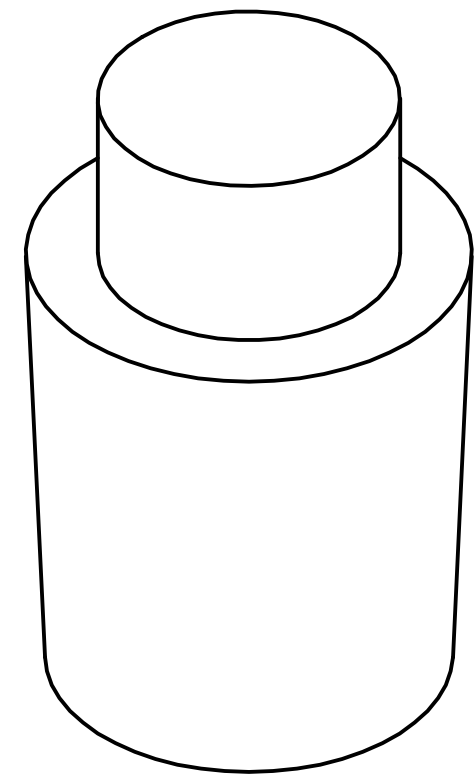
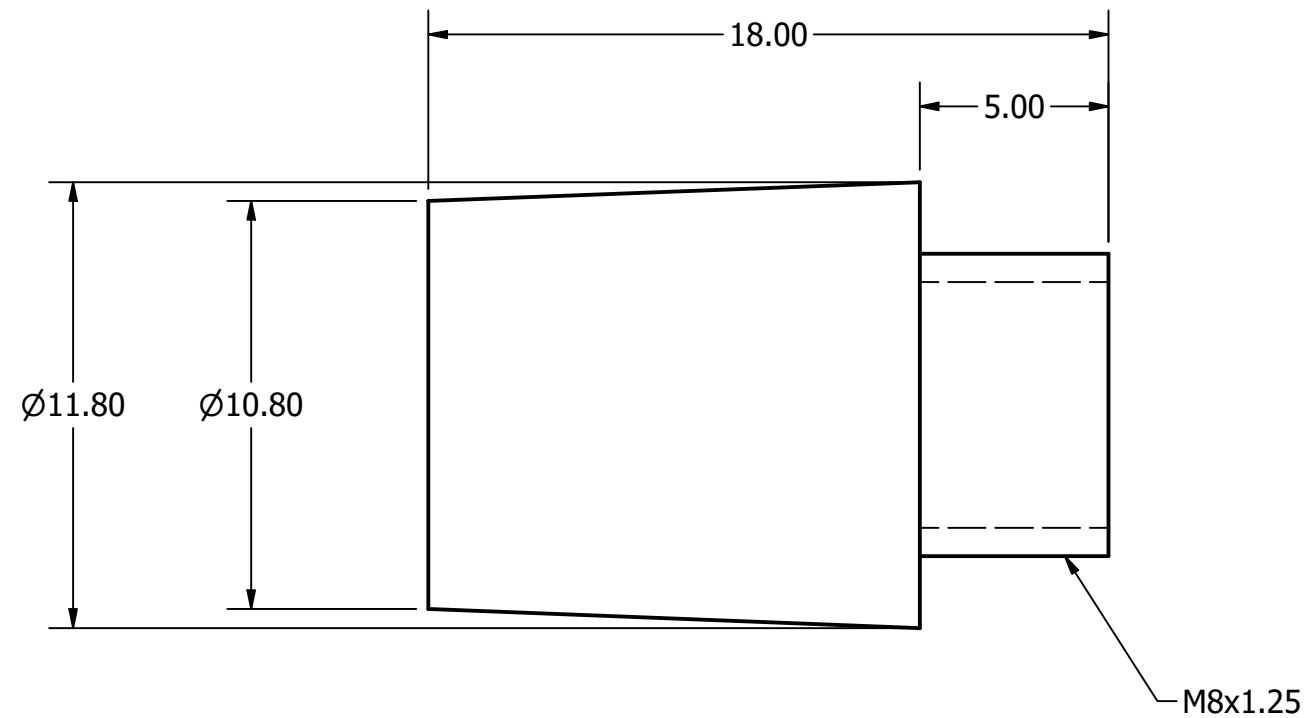
DRAWN peyco	12/19/2022	TITLE <b>22-1219-T (top)</b>		
CHECKED				
QA				
MFG				
APPROVED		SIZE <b>B</b>	DWG NO	REV
		SCALE 3 : 1	SHEET 1 OF 1	



DRAWN peyco	12/19/2022	TITLE <b>22-1219-B (base)</b>		
CHECKED				
QA				
MFG				
APPROVED		SIZE <b>B</b>	DWG NO	REV
		SCALE 5 : 1	SHEET 1 OF 1	



DRAWN peyco	12/19/2022	TITLE <b>22-1219</b> <b>(complete assembly)</b>		
CHECKED				
QA				
MFG				
APPROVED		SIZE <b>B</b>	DWG NO	REV
		SCALE 4 : 1	SHEET 1 OF 1	



DRAWN peyco	12/19/2022	TITLE <b>22-1219-B (base)</b>		
CHECKED				
QA				
MFG				
APPROVED		SIZE <b>B</b>	DWG NO	REV
		SCALE 5 : 1	SHEET 1 OF 1	

4

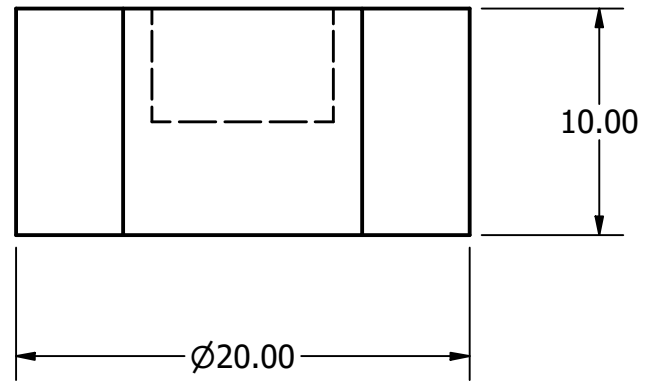
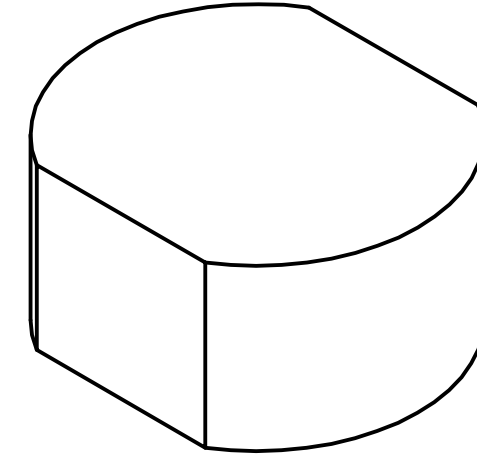
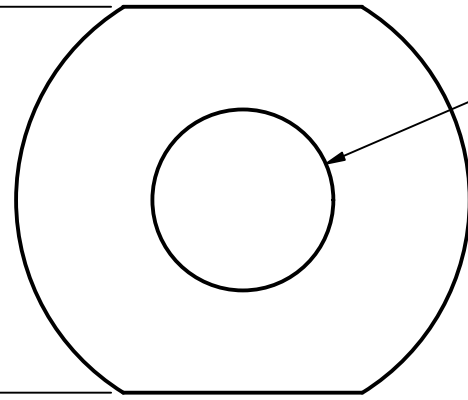
3

2

1

17.00

M8x1.25  $\nabla$  5.00 mm



DRAWN peyco	12/19/2022	TITLE <b>22-1219-T (top)</b>		
CHECKED				
QA				
MFG				
APPROVED		SIZE <b>B</b>	DWG NO	REV
		SCALE 3 : 1	SHEET 1 OF 1	