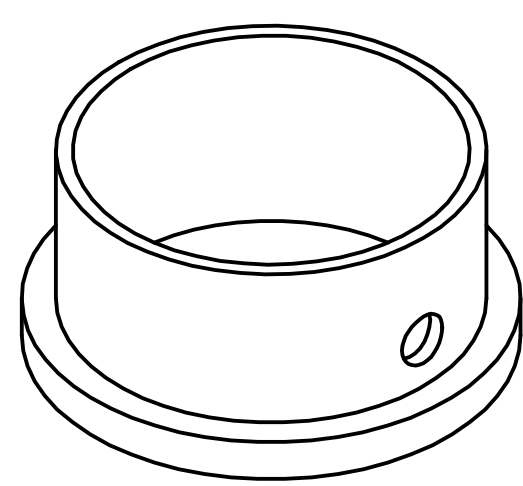
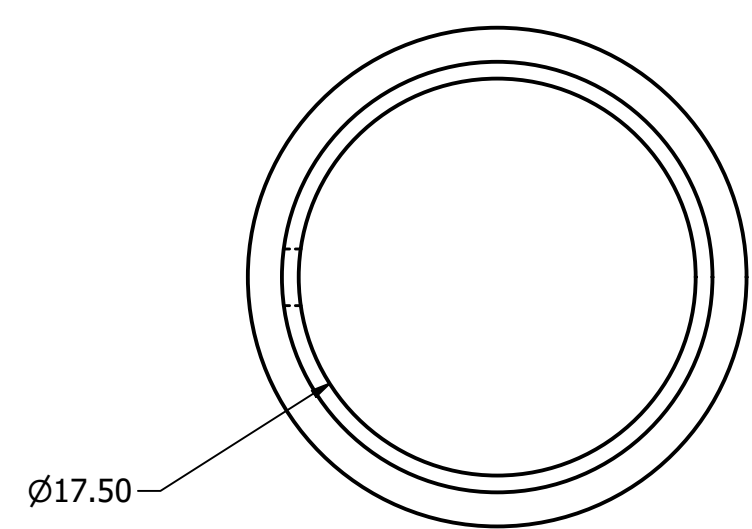
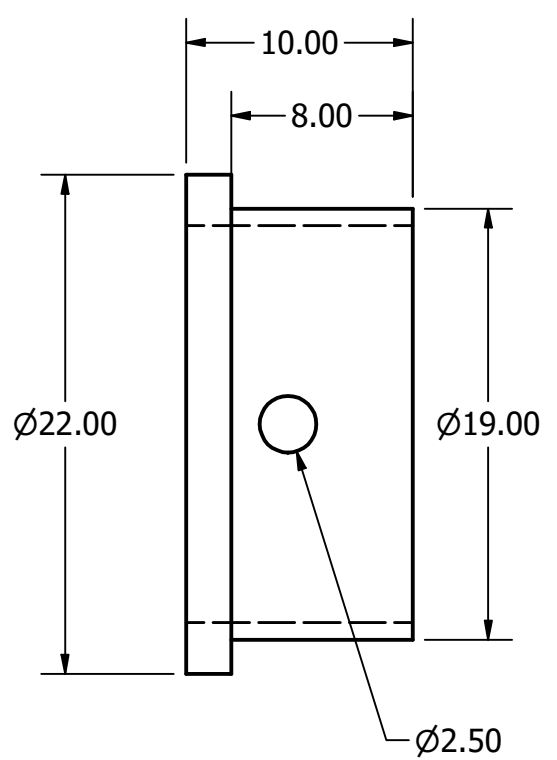


DRAWN peyco	12/13/2022	TITLE PN-K-C10-17 Base		
CHECKED				
QA				
MFG				
APPROVED				
		SIZE B	DWG NO	REV
		SCALE 3 : 1	SHEET 1 OF 1	

4 3 2 1

B

B



A

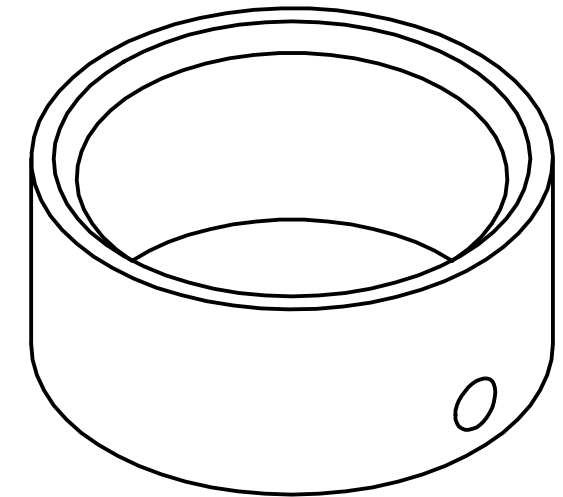
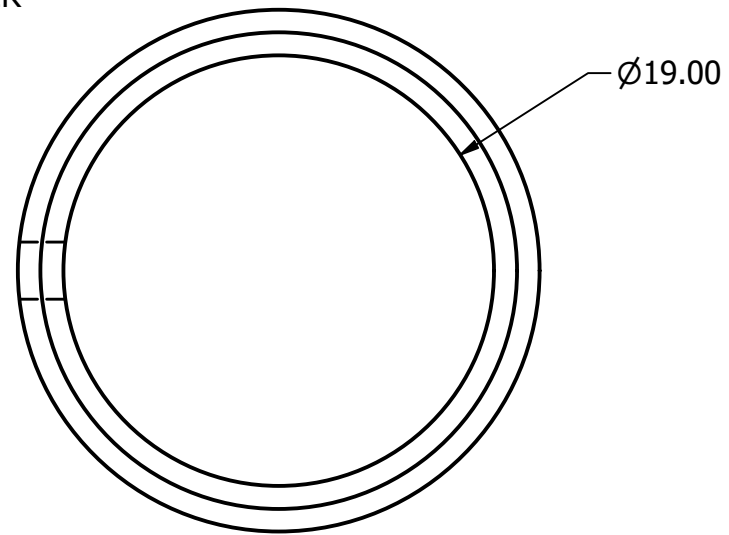
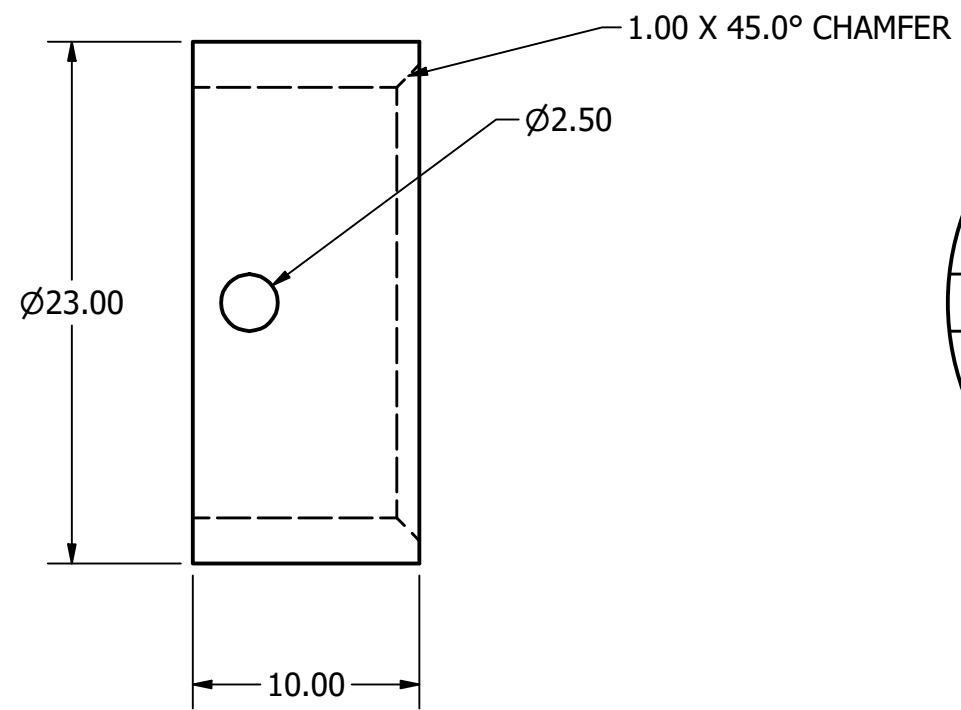
A

A

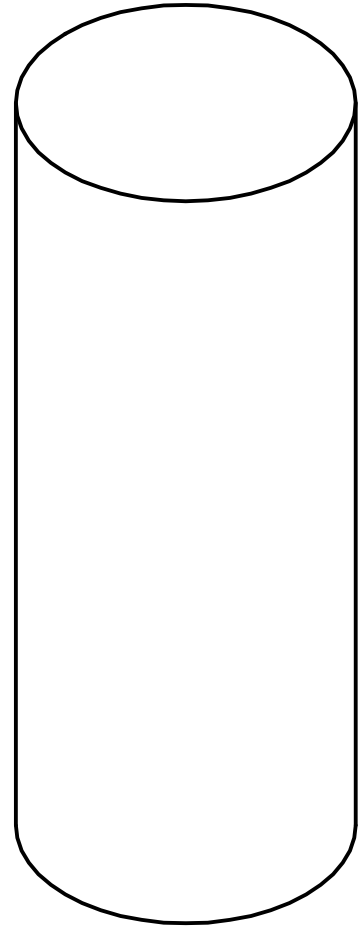
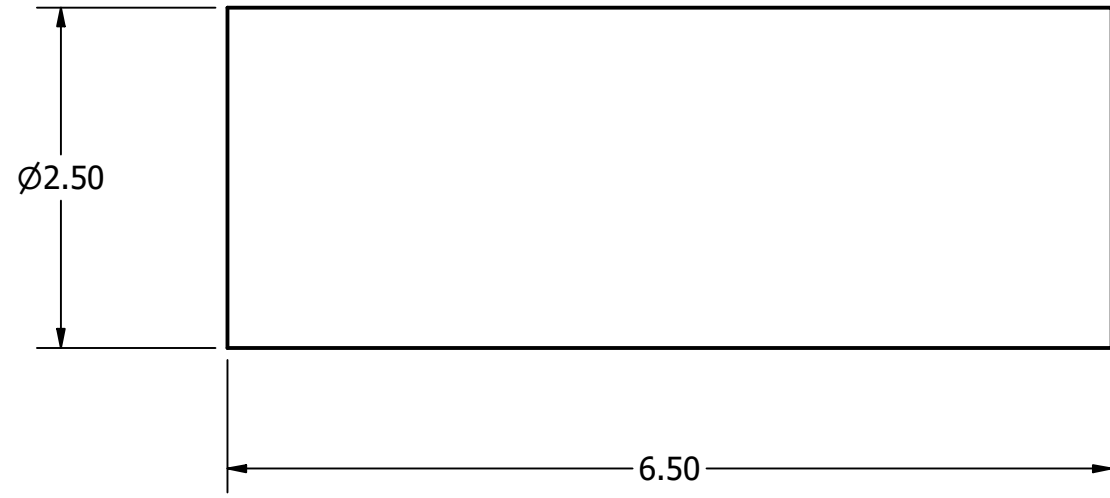
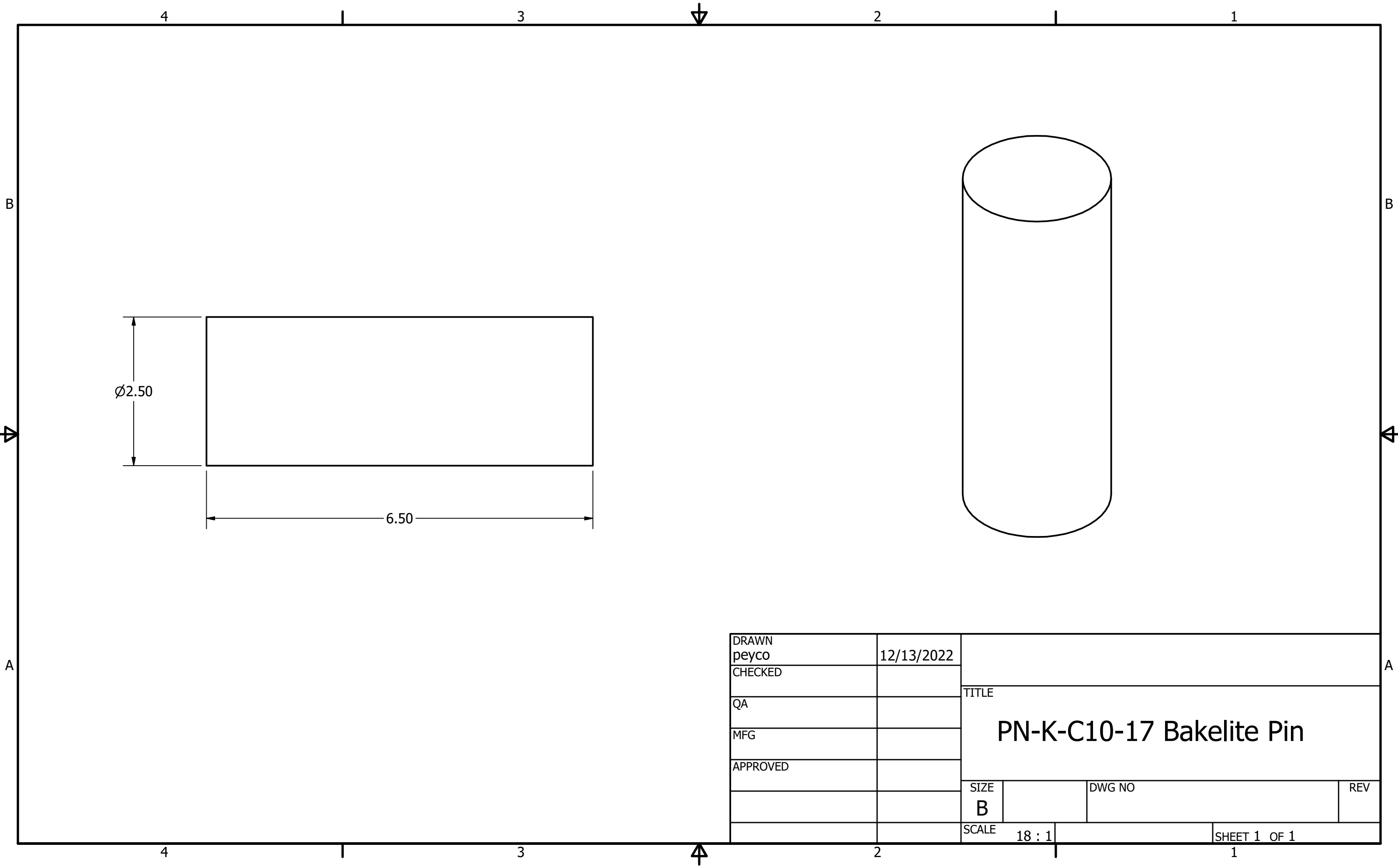
A

DRAWN peyco	12/13/2022	TITLE PN-K-C10-17 Bakelite		
CHECKED				
QA				
MFG				
APPROVED		SIZE B	DWG NO	REV
		SCALE 3 : 1	SHEET 1 OF 1	

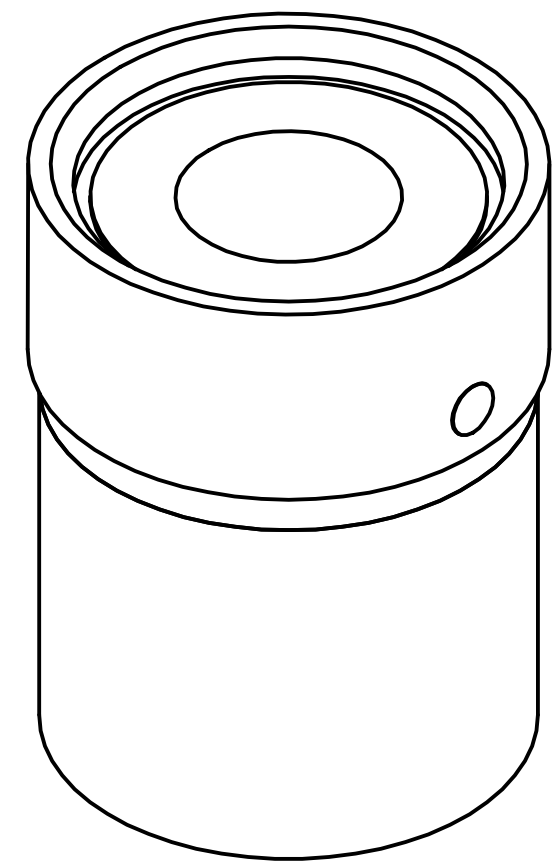
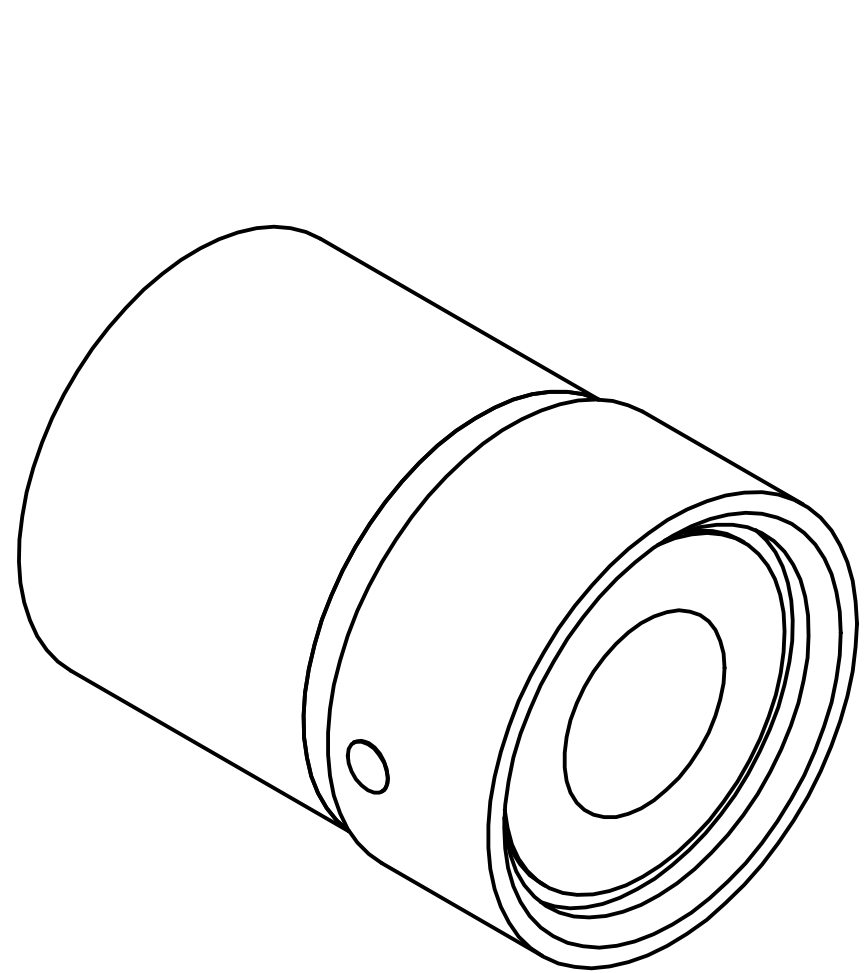
4 3 2 1



DRAWN peyco	12/13/2022	TITLE PN-K-C10-17 Steel Ring		
CHECKED				
QA				
MFG				
APPROVED		SIZE B	DWG NO	REV
		SCALE 3 : 1	SHEET 1 OF 1	



DRAWN peyco	12/13/2022	TITLE PN-K-C10-17 Bakelite Pin		
CHECKED				
QA				
MFG				
APPROVED		SIZE B	DWG NO	REV
		SCALE 18 : 1	SHEET 1 OF 1	



DRAWN peyco	12/13/2022	TITLE PN-K-C10-17 Assembly		
CHECKED				
QA				
MFG				
APPROVED		SIZE B	DWG NO	REV
		SCALE 3 : 1	SHEET 1 OF 1	