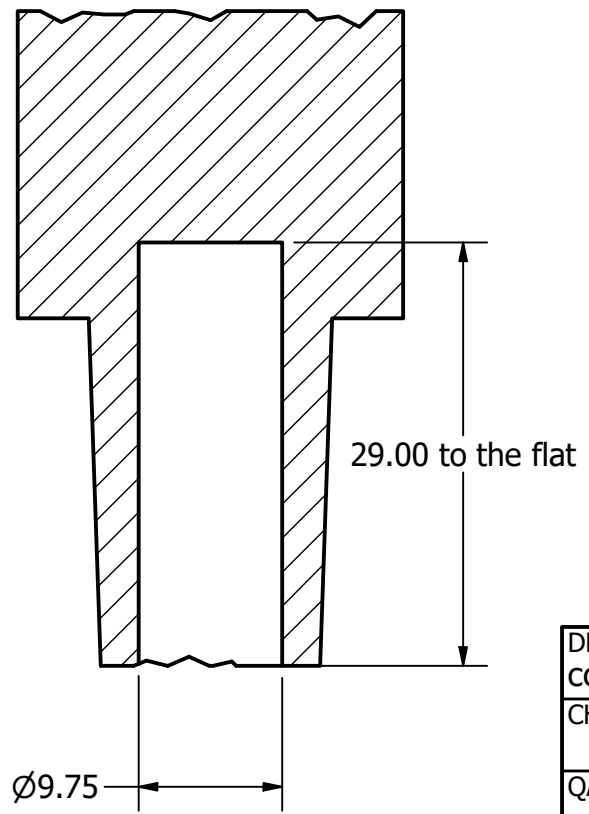
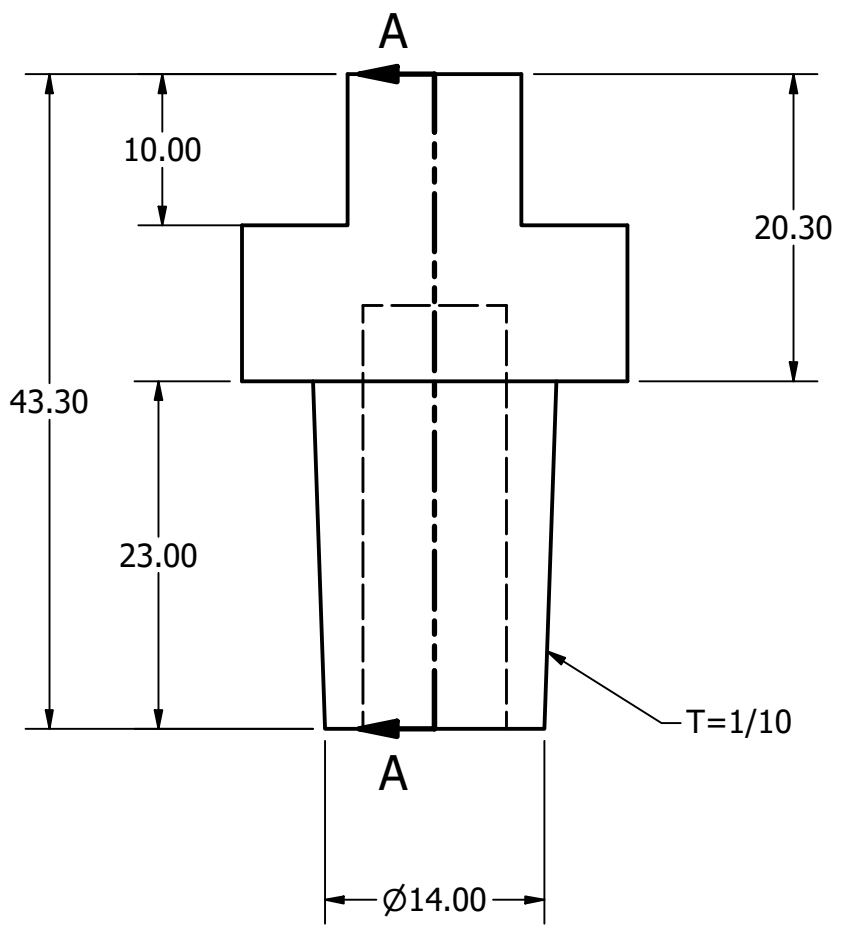
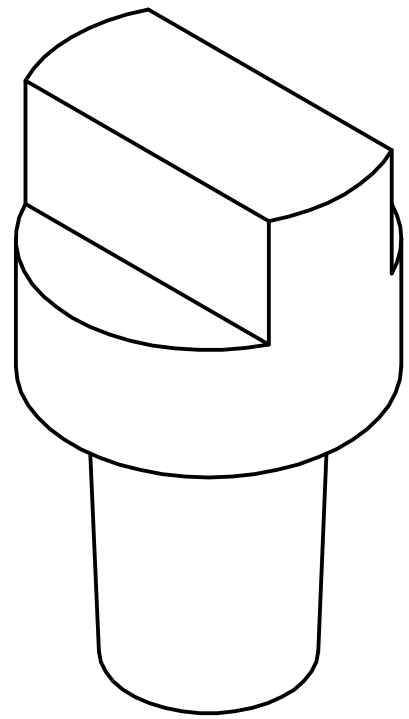
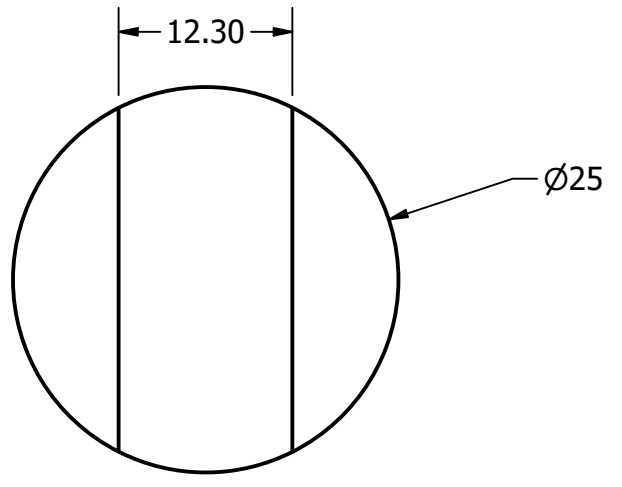


4 3 2 1



MATERIALS:
CrCu

| | | | | |
|----------------|-----------|---------------|--------|--------------|
| DRAWN ccolq | 9/27/2022 | Weldparts USA | | |
| CHECKED | | TITLE | | |
| QA | | ELECTRODE | | |
| MFG | | SIZE | DWG NO | REV |
| APPROVED | | B | | |
| | | SCALE | 2 : 1 | SHEET 1 OF 1 |

B

B

A

A

A

A

4 3 2 1